

## Homemade Levitron

This a simple electromagnetic „Antigravity” device.

### Components:

U1	7805 regulator IC
U2	UA741 operational amplifier
Hall Sensor	TLE4905 or SS495A(B) (placed in the center of the coil)
C1	10uF
C2, C3, C4	100nF
R1	2,2K
R2	100K
R3	10K
R4, R5	120 $\Omega$
R6, R7	330 $\Omega$
P1, P3	1K
P2	100 $\Omega$
D1, D2	1N4148
D3, D4	Laser diodes
D5, D6	LED ( white or blue)
T1	IRF4905
T2	BC557
Electromagnet (coil)	$\varnothing$ 0,35mm(max) enameled copper wire Dimensions: outer diameter 30mm, inner diameter 8mm, height 10mm  L= 8.5mH R= 17 $\Omega$
Permanent magnet	Neodymium (flying object)

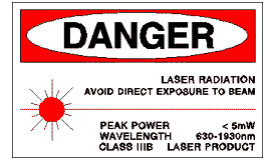


Some Rights Reserved

<http://creativecommons.org/licenses/by-nc-sa/3.0/>

CyberElectronics

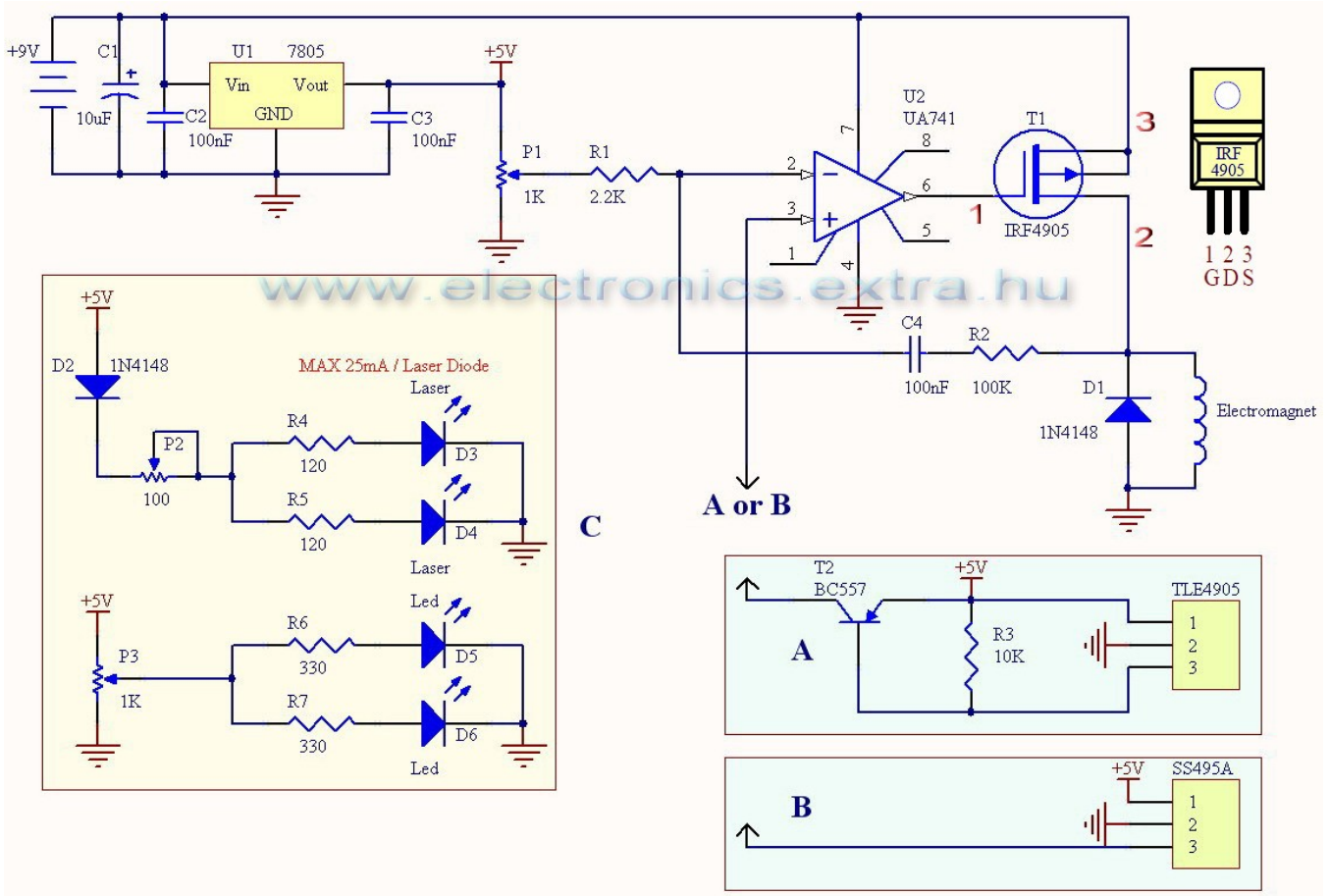




**Schematics:**

**Original schematic by Skori :**

<http://skory.gylcomp.hu/levitron/levitron.html>



**Depending by type of Hall Sensor you have, you can choose between connections type A or B.**

**Circuit „C” is optional, contain 2 Laser diodes and 2 white LEDs.**

**Using connection type „A”, turn the P1 cursor in the middle position.**

**Using connection type „B”, with P1, you can change the distance between flying object and coil.**

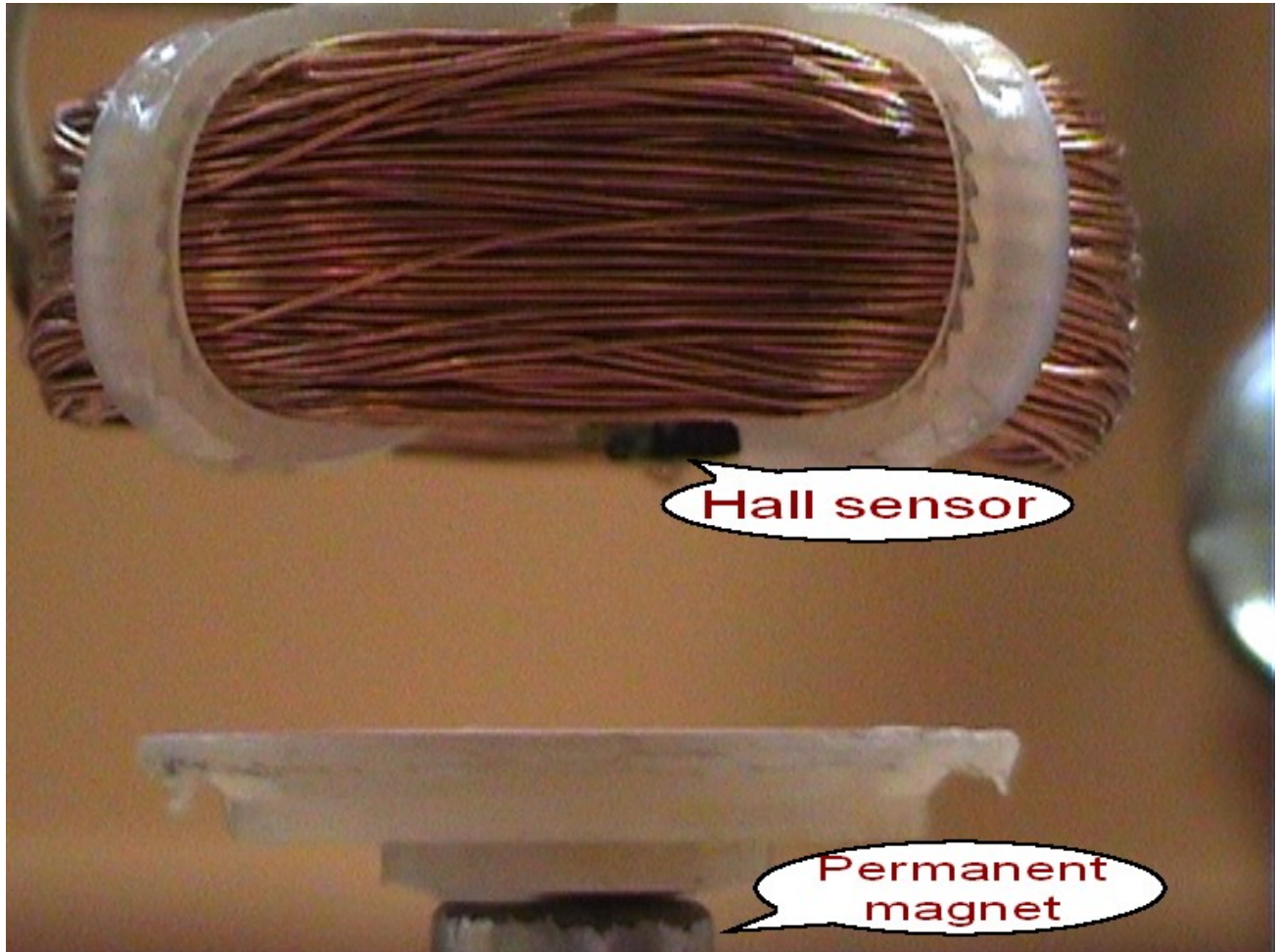
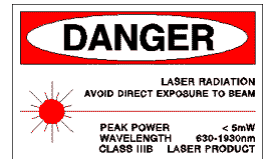


Some Rights Reserved

<http://creativecommons.org/licenses/by-nc-sa/3.0/>

CyberElectronics







**In action**

<http://www.youtube.com/watch?v=4KRXoZ4Cz-g>

**!!! Danger !!!**  
**Laser Radiation**  
**Do not direct them towards other people !!!**  
**Never look directly into a laser beam !!!**  
**Build and/or use at your own risk !!!**



*Some Rights Reserved*

<http://creativecommons.org/licenses/by-nc-sa/3.0/>  
**CyberElectronics**

